

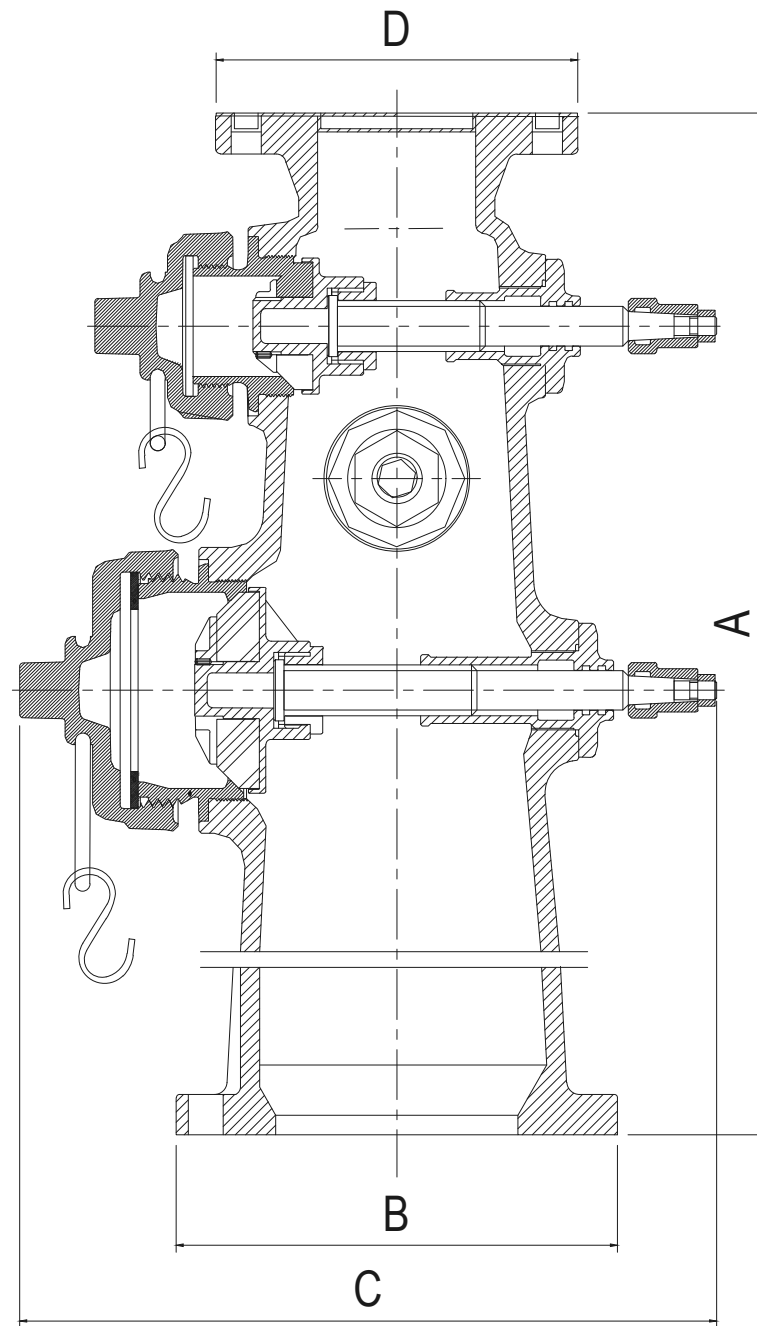
WET TYPE FIRE HYDRANT



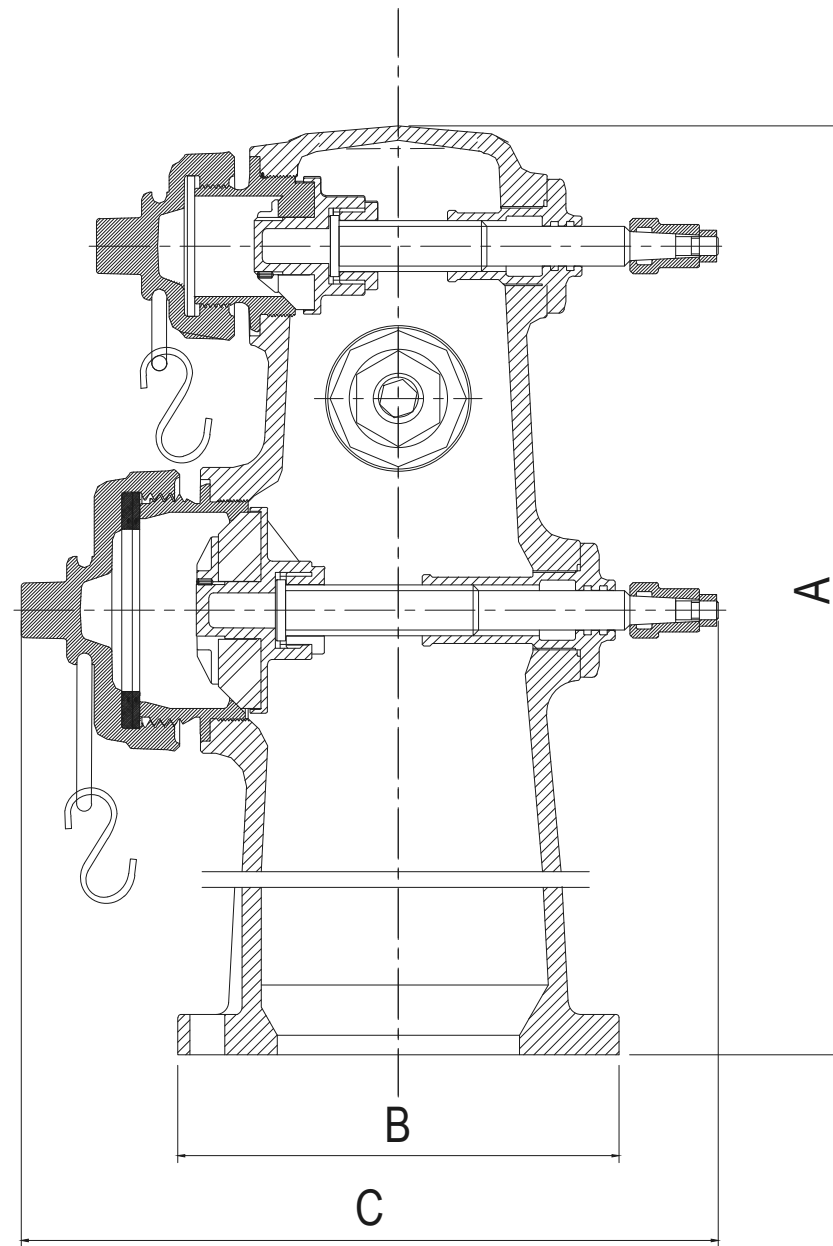
NOTES :-

1. ALL DIMENSIONS ARE IN mm. UNLESS OTHERWISE SPECIFIED

150NF-WHM



150NF-WH



DIMENSIONS				
MODEL	A	B(Ø)	C(Ø)	D(Ø)
150NF-WHM	720	279	440	229
150-NFH(M)	663	279	440	-